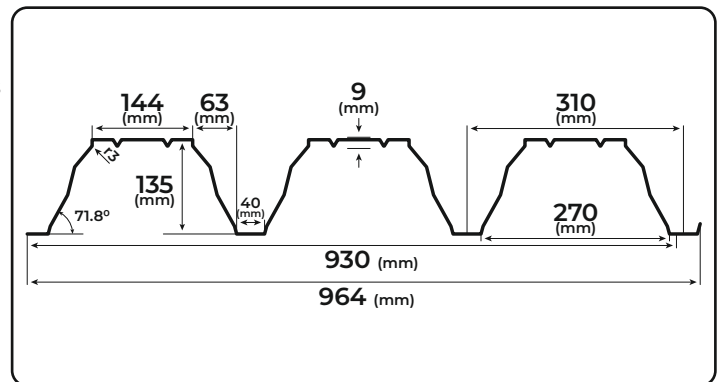


BILKA T135 corrugated steel sheet is used for industrial constructions, especially for those requiring large openings. The corrugation height is 135 mm, the distance between corrugations 40 mm and corrugation opening 270 mm.

PRODUCTION SPECIFICATIONS:

- BILKA T135 corrugated steel is made with a nominal thickness between 0.75 – 2.5 mm, based on the construction requirements
- the standard length of the modules ranges from 0.500 m and 13.5 m. Execution of the modules with different lengths from the standard ones will be made after prior consultation with the technical specialist from BILKA.
- BILKA produces corrugated steel sheet T135 in 13 colors, glossy options



TECHNICAL CHARACTERISTICS	Material	Steel, galvanized sheet metal on both sides protected with polyester
	Standard thickness	0,75 mm - 2,5 mm
	Total width	964 mm
	Usable width	930 mm
	Total height	135 mm
	Weight on the surface	9,70 - 15 kg / mp
	Warranty	10-year warranty for colour characteristics and corrosion
	Estimated life cycle	60 years for the roof, withstands temperature fluctuations