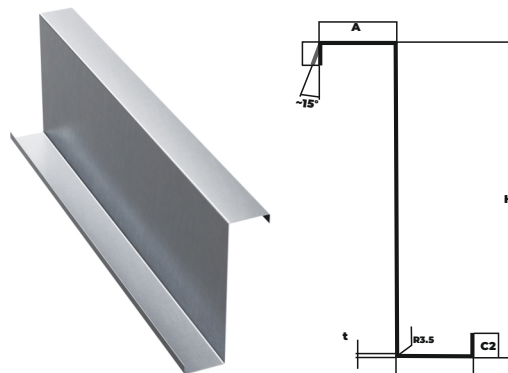




## PRODUIT

# PROFILÉ ZINGUÉ EN Z



Les profilés métalliques en Z sont une innovation dans le domaine des structures métalliques pour des halles industrielles légères. Les profilés en Z sont principalement utilisés comme des pannes de toiture, mais aussi pour des structures secondaires.

La rigidité et la résistance des profilés permettent leur utilisation pour:

- structure de résistance pour les constructions industrielles à destination d'entrepôt, de production, etc.
- structure secondaire pour soutenir les couvertures et les fermetures comme des poutres de mur ou des pannes de toiture.

CARACTÉRISTIQUES TECHNIQUES

Hauteur des sections	100 - 400 mm
Épaisseur	1.5 - 3.5 mm
Qualité du matériau	S350GD+Z275
Longueurs de coupe standard	250- 15000 mm * Pour d'autres longueurs, veuillez contacter le service technique de BILKA

- les profilés en C peuvent être percés selon le plan de perçage établi par le concepteur. Des perforations peuvent être réalisées sur tous les côtés, ainsi que sur les semelles des profilés ;
- les profilés peuvent être réalisés avec des cotés égaux ou inégaux ;
- toutes les connexions des éléments structurels sont réalisées par des vis, ce qui garantit un assemblage rapide et facile sur le site.

Schémas de forage	Type de perforation		Diamètre disponible									
	Forme	Dimensions	5	10	11	12	13	14	15	16	18	20
RONDE		5 22										
OVALE		18x14 40x26	20x10 50x13	25x14 50x5	28x14	32x16	35X12	39X19	40X18	40x25		
CARRÉ		40x40										
RECTANGULAIRE		16x24	28.5x18									
DIVERSES COMBINAISONS												

TYPE DE PROFILÉ	Dimensions de la section							
	H (mm)	A(mm)	B (mm)	C1=C2 (mm)	t (mm)	t <sub>n</sub> (mm)	r (mm)	G(kg/ml)
Z100-1.5	100	47	40	18.0	1.46	1.5	3.5	2.48
Z100-2	100	47	40	18.0	1.96	2.0	3.5	3.25
Z120-1.5	120	47	40	18.0	1.46	1.5	3.5	2.72
Z120-2	120	47	40	18.0	1.96	2.0	3.5	3.56
Z120-2.5	120	60	53	22.0	2.46	2.5	3.5	5.05
Z140-1.5	140	47	40	18.0	1.46	1.5	3.5	2.96
Z140-1.5	140	66	59	22.0	1.46	1.5	3.5	3.47
Z140-2	140	47	40	18.5	1.96	2.0	3.5	3.89
Z140-2	140	66	59	22.0	1.96	2.0	3.5	4.58
Z140-2.5	140	66	59	22.0	2.46	2.5	3.5	5.65
Z140-3	140	66	59	22.0	2.96	3.0	3.5	6.71
Z140-3.5	140	66	59	22.0	3.46	3.5	3.5	7.72
Z150-1.5	150	47	40	18.0	1.46	1.5	3.5	3.07
Z150-1.5	150	66	59	22.0	1.46	1.5	3.5	3.59
Z150-2	150	47	40	18.5	1.96	2.0	3.5	4.05
Z150-2	150	66	59	22.0	1.96	2.0	3.5	4.73
Z150-2.5	150	47	40	20.0	2.46	2.5	3.5	5.04
Z150-2.5	150	66	59	22.0	2.46	2.5	3.5	5.85
Z150-3	150	66	59	22.0	2.96	3.0	3.5	6.95
Z150-3.5	150	66	59	22.0	3.46	3.5	3.5	8.00
Z160-1.5	160	47	40	18.0	1.46	1.5	3.5	3.19
Z160-1.5	160	66	59	22.0	1.46	1.5	3.5	3.71
Z160-2	160	47	40	18.5	1.96	2.0	3.5	4.21
Z160-2	160	66	59	22.0	1.96	2.0	3.5	4.89
Z160-2.5	160	47	40	20.0	2.46	2.5	3.5	5.24
Z160-2.5	160	66	59	22.0	2.46	2.5	3.5	6.06
Z160-3	160	66	59	22.0	2.96	3.0	3.5	7.18
Z160-3.5	160	66	59	22.0	3.46	3.5	3.5	8.27
Z180-1.5	180	60	53	20.0	1.46	1.5	3.5	3.78
Z180-1.5	180	66	59	22.0	1.46	1.5	3.5	3.94
Z180-2	180	60	53	22.0	1.96	2.0	3.5	5.04
Z180-2	180	66	59	22.0	1.96	2.0	3.5	5.20
Z180-2.5	180	60	53	23.0	2.46	2.5	3.5	6.26
Z180-2.5	180	66	59	22.0	2.46	2.5	3.5	6.44
Z180-3	180	60	53	23.0	2.96	3.0	3.5	7.42
Z180-3	180	66	59	22.0	2.96	3.0	3.5	7.65
Z180-3.5	180	60	53	23.0	3.46	3.5	3.5	8.54
Z180-3.5	180	66	59	22.0	3.46	3.5	3.5	8.82
Z200-1.5	200	67	59	23.5	1.46	1.5	3.5	4.25
Z200-1.5	200	73	65	24.0	1.46	1.5	3.5	4.38
Z200-2	200	67	59	24.0	1.96	2.0	3.5	5.62
Z200-2	200	73	65	24.0	1.96	2.0	3.5	5.79
Z200-2.5	200	67	59	26.0	2.46	2.5	3.5	7.03
Z200-2.5	200	73	65	26.0	2.46	2.5	3.5	7.24
Z200-3	200	67	59	26.0	2.96	3.0	3.5	8.34
Z200-3	200	73	65	26.0	2.96	3.0	3.5	8.62
Z200-3.5	200	67	59	26.0	3.46	3.5	3.5	9.62
Z200-3.5	200	73	65	26.0	3.46	3.5	3.5	9.95

TYPE DE PROFILÉ	Dimensions de la section							
	H (mm)	A(mm)	B (mm)	C1=C2 (mm)	t (mm)	t <sub>n</sub> (mm)	r (mm)	G(kg/ml)
Z250-1.5	250	67	59	23.5	1.46	1.5	3.5	4.84
Z250-1.5	250	73	65	24.0	1.46	1.5	3.5	4.97
Z250-2	250	67	59	24.0	1.96	2.0	3.5	6.41
Z250-2	250	73	65	24.0	1.96	2.0	3.5	6.57
Z250-2.5	250	67	59	26.0	2.46	2.5	3.5	8.01
Z250-2.5	250	73	65	26.0	2.46	2.5	3.5	8.22
Z250-3	250	67	59	26.0	2.96	3.0	3.5	9.51
Z250-3	250	73	65	26.0	2.96	3.0	3.5	9.80
Z250-3.5	250	67	59	26.0	3.46	3.5	3.5	10.99
Z250-3.5	250	73	65	26.0	3.46	3.5	3.5	11.32
Z300-1.5	300	78	70	23.5	1.46	1.5	3.5	5.69
Z300-2	300	78	70	24.0	1.96	2.0	3.5	7.54
Z300-2	300	89	81	24.0	1.96	2.0	3.5	7.86
Z300-2.5	300	78	70	26.0	2.46	2.5	3.5	9.42
Z300-2.5	300	89	81	24.0	2.46	2.5	3.5	9.75
Z300-3	300	78	70	26.0	2.96	3.0	3.5	11.21
Z300-3	300	89	81	26.0	2.96	3.0	3.5	11.73
Z300-3.5	300	78	70	26.0	3.46	3.5	3.5	12.97
Z300-3.5	300	89	81	26.0	3.46	3.5	3.5	13.57
Z350-1.5	350	78	70	23.0	1.46	1.5	3.5	6.26
Z350-2	350	78	70	23.0	1.96	2.0	3.5	8.29
Z350-2	350	100	92	25.0	1.96	2.0	3.5	9.02
Z350-2.5	350	78	70	25.0	2.46	2.5	3.5	10.36
Z350-2.5	350	100	92	26.0	2.46	2.5	3.5	11.25
Z350-3	350	78	70	25.0	2.96	3.0	3.5	12.34
Z350-3	350	100	92	27.0	2.96	3.0	3.5	13.47
Z350-3.5	350	78	70	25.0	3.46	3.5	3.5	14.29
Z350-3.5	350	100	92	28.0	3.46	3.5	3.5	15.66
Z400-1.5	400	89	81	24.0	1.46	1.5	3.5	7.14
Z400-2	400	89	81	25.0	1.96	2.0	3.5	9.48
Z400-2	400	100	92	30.0	1.96	2.0	3.5	9.96
Z400-2.5	400	89	81	26.0	2.46	2.5	3.5	11.81
Z400-2.5	400	100	92	30.0	2.46	2.5	3.5	12.38
Z400-3	400	89	81	26.0	2.96	3.0	3.5	14.08
Z400-3	400	100	92	30.0	2.96	3.0	3.5	14.79
Z400-3.5	400	89	81	26.0	3.46	3.5	3.5	16.32
Z400-3.5	400	100	92	30.0	3.46	3.5	3.5	17.14

TYPE DE PROFILÉ	Caractéristiques géométriques de la section brute									
	A (mm <sup>2</sup> )	Y <sub>c</sub> (mm)	Z <sub>G1</sub> (mm)	Z <sub>G2</sub> (mm)	I <sub>y</sub> (cm <sup>4</sup> )	W <sub>y1</sub> (cm <sup>3</sup> )	W <sub>y2</sub> (cm <sup>3</sup> )	I <sub>z</sub> (cm <sup>4</sup> )	i <sub>y</sub> (cm)	i <sub>z</sub> (cm)
Z100-1.5	308.1	40.5	47.6	51.0	45.07	9.47	8.85	14.22	3.92	2.20
Z100-2	405.7	40.0	47.4	50.7	59.63	12.58	11.76	19.12	3.89	2.18
Z120-1.5	337.3	40.3	57.5	61.1	69.32	12.06	11.34	14.23	4.64	2.10
Z120-2	444.9	39.8	57.2	60.9	92.01	16.08	15.12	19.14	4.61	2.08
Z120-2.5	548.6	39.4	57.0	60.6	114.04	20.01	18.81	24.03	4.58	2.06
Z140-1.5	366.5	40.1	67.3	71.2	105.36	15.66	14.80	14.74	5.35	2.04
Z140-1.5	430.7	59.4	67.6	71.6	135.68	20.07	18.94	43.25	5.57	3.17
Z140-2	486.1	39.6	67.1	70.9	138.67	20.67	19.56	20.26	5.32	2.02
Z140-2	571.34	58.9	67.4	70.6	176.52	26.19	25.00	56.14	5.54	3.13
Z140-2.5	708.5	58.4	67.1	70.4	214.26	31.93	30.43	67.60	5.52	3.09
Z140-3	843.6	57.9	66.8	70.2	261.49	39.14	37.25	81.42	5.49	3.06
Z140-3.5	972.3	57.4	66.6	69.9	299.41	44.96	42.83	92.14	5.46	3.03
Z150-1.5	381.1	40.1	72.3	76.3	117.93	16.32	15.45	14.24	5.69	1.98
Z150-1.5	445.3	59.3	72.6	75.9	161.55	22.25	21.28	44.62	5.94	3.11
Z150-2	505.7	39.6	72.0	76.1	157.05	21.80	20.65	19.15	5.66	1.98
Z150-2	590.9	58.8	72.3	75.7	211.64	29.27	27.96	57.41	5.91	3.08
Z150-2.5	632.2	39.2	71.8	75.8	195.31	27.21	25.76	24.05	5.63	1.96
Z150-2.5	733.1	58.3	72.0	75.5	260.14	36.13	34.46	69.32	5.88	3.04
Z150-3	873.2	57.8	71.8	75.2	307.58	42.84	40.90	81.64	5.86	3.01
Z150-3.5	1006.9	57.3	71.5	75.0	352.35	49.28	46.98	92.67	5.84	2.98
Z160-1.5	395.7	39.9	77.2	81.3	147.64	19.12	18.16	15.94	6.04	1.99
Z160-1.5	459.9	59.3	77.5	81.0	185.46	23.93	22.90	43.45	6.29	3.04
Z160-2	525.3	39.5	76.9	81.1	194.67	25.31	24.00	20.64	6.01	1.95
Z160-2	610.5	58.8	77.2	80.8	240.87	31.20	29.81	56.77	6.27	3.01
Z160-2.5	656.8	39.0	76.7	80.8	240.32	31.33	29.74	25.43	5.98	1.93
Z160-2.5	760.1	58.3	76.9	80.6	293.41	38.15	36.40	67.42	6.24	2.99
Z160-3	902.8	57.9	76.7	80.3	358.42	46.73	44.63	81.17	6.22	2.96
Z160-3.5	1041.5	57.3	76.5	80.0	411.59	53.80	51.45	92.15	6.20	2.94
Z180-1.5	468.7	53.2	87.4	91.2	227.69	26.05	24.97	33.10	6.99	2.66
Z180-1.5	489.1	59.2	87.4	91.1	243.58	27.87	26.74	44.36	7.01	2.97
Z180-2	629.2	52.7	87.2	90.9	304.53	34.94	33.49	44.64	6.96	2.67
Z180-2	649.7	58.7	87.1	90.9	317.69	36.47	34.95	56.68	6.98	2.93
Z180-2.5	784.7	52.2	86.9	90.7	380.44	43.77	41.95	56.20	6.94	2.67
Z180-2.5	806.9	58.2	86.9	90.6	387.62	44.61	42.78	67.41	6.95	2.91
Z180-3	932.4	51.8	86.6	90.4	447.10	51.66	49.46	64.92	6.91	2.65
Z180-3	962.0	57.7	86.6	90.4	473.64	54.69	52.39	81.95	6.93	2.88
Z180-3.5	1076.1	51.3	86.3	90.2	514.67	59.64	57.06	72.94	6.89	2.63
Z180-3.5	1110.7	57.1	86.4	90.1	543.67	62.92	60.34	92.46	6.91	2.85
Z200-1.5	527.1	59.1	97.5	101.1	311.74	31.99	30.83	42.99	7.71	2.93
Z200-1.5	543.1	65.2	97.5	101.1	330.74	33.94	32.71	57.99	7.84	3.29
Z200-2	701.7	58.7	97.2	100.9	415.59	42.75	41.20	57.63	7.68	2.91
Z200-2	722.3	64.8	97.2	100.9	442.59	45.53	43.87	78.21	7.82	3.27
Z200-2.5	880.7	58.3	97.0	100.6	520.19	53.64	51.70	75.26	7.65	2.89
Z200-2.5	907.7	64.3	97.0	100.6	553.19	57.04	54.98	98.50	7.79	3.26
Z200-3	1047.8	58.0	96.3	100.7	624.46	64.85	62.01	91.64	7.63	2.88
Z200-3	1083.4	63.9	96.4	100.6	659.46	68.41	65.55	116.32	7.75	3.24
Z200-3.5	1211.0	57.9	96.0	100.5	718.44	74.84	71.49	104.58	7.62	2.88
Z200-3.5	1252.5	63.4	96.1	100.4	759.34	79.02	75.63	132.60	7.68	3.20

TYPE DE PROFILÉ	Caractéristiques géométriques de la section brute									
	A (mm <sup>2</sup> )	y <sub>c</sub> (mm)	Z <sub>G1</sub> (mm)	Z <sub>G2</sub> (mm)	I <sub>y</sub> (cm <sup>4</sup> )	W <sub>y1</sub> (cm <sup>3</sup> )	W <sub>y2</sub> (cm <sup>3</sup> )	I <sub>z</sub> (cm <sup>4</sup> )	i <sub>y</sub> (cm)	i <sub>z</sub> (cm)
Z250-1.5	600.1	58.9	122.1	126.4	542.25	44.41	42.90	45.26	9.42	2.75
Z250-1.5	616.1	65.0	122.3	126.3	558.87	45.71	44.24	58.01	9.58	3.08
Z250-2	799.7	58.4	121.8	126.2	716.34	58.81	56.76	59.46	9.39	2.73
Z250-2	820.3	64.6	122.0	126.1	749.06	61.39	59.42	78.23	9.56	3.09
Z250-2.5	1003.7	57.9	121.6	125.9	895.65	73.66	71.16	77.15	9.37	2.71
Z250-2.5	1030.7	64.1	121.8	125.8	937.78	77.01	74.53	98.53	9.56	3.06
Z250-3	1195.8	57.5	121.1	125.9	1,068.41	88.23	84.86	91.45	9.35	2.70
Z250-3	1231.4	63.7	121.4	125.6	1,123.48	92.54	89.45	116.35	9.53	3.04
Z250-3.5	1384.0	57.3	120.8	125.7	1,230.94	101.90	97.93	104.75	9.31	2.69
Z250-3.5	1425.5	63.4	120.9	125.6	1,294.31	107.06	103.05	132.98	9.50	3.02
Z300-1.5	705.2	69.9	147.1	151.4	916.73	62.32	60.54	69.26	11.28	3.12
Z300-2	940.8	69.4	146.8	151.2	1,213.34	82.65	80.26	90.06	11.26	3.09
Z300-2	981.0	80.5	147.0	151.1	1,287.70	87.60	85.22	131.55	11.51	3.68
Z300-2.5	1180.8	68.9	146.6	150.9	1,516.58	103.45	100.50	115.21	11.24	3.07
Z300-2.5	1222.6	80.1	146.8	150.8	1,613.83	109.97	106.99	165.91	11.49	3.68
Z300-3	1404.2	68.5	146.1	150.9	1,810.64	123.93	119.99	139.85	11.21	3.06
Z300-3	1474.1	79.6	146.5	150.6	1,944.46	132.72	129.12	201.07	11.47	3.69
Z300-3.5	1647.3	68.2	145.7	150.8	2,089.64	143.42	138.57	158.64	11.19	3.05
Z300-3.5	1709.2	79.2	145.9	150.6	2,258.83	154.85	149.99	229.64	11.43	3.66
Z350-1.5	776.7	69.7	171.9	176.6	1,326.93	77.19	75.14	69.67	12.93	2.95
Z350-2	1034.9	69.2	171.7	176.3	1,752.81	102.09	99.42	91.23	12.89	2.92
Z350-2	1126.0	92.5	172.0	176.1	2,005.22	116.61	113.85	189.59	13.39	4.12
Z350-2.5	1298.9	68.7	171.5	176.0	2,192.36	127.83	124.54	113.72	12.85	2.90
Z350-2.5	1409.6	92.0	171.7	175.9	2,514.45	146.43	142.97	239.14	13.37	4.13
Z350-3	1551.0	68.3	170.9	176.1	2,617.15	153.14	148.62	136.75	12.84	2.89
Z350-3	1693.1	91.5	171.5	175.6	3,031.40	176.78	172.61	289.89	13.35	4.13
Z350-3.5	1799.2	67.9	170.6	175.9	3,039.55	178.17	172.80	159.66	12.81	2.88
Z350-3.5	1972.2	91.0	171.2	175.4	3,548.70	207.25	202.36	342.05	13.34	4.14
Z400-1.5	884.8	80.7	196.9	201.6	1,979.21	100.52	98.18	99.72	14.79	3.35
Z400-2	1183.8	80.2	196.7	201.3	2,629.57	133.68	130.63	133.54	14.76	3.34
Z400-2	1243.6	92.4	196.9	201.2	2,754.50	139.93	136.88	189.61	15.07	3.95
Z400-2.5	1480.9	79.7	196.4	201.1	3,273.79	166.69	162.79	165.83	14.74	3.32
Z400-2.5	1552.3	91.9	196.6	201.0	3,455.69	175.76	171.93	239.16	15.05	3.96
Z400-3	1770.1	79.5	195.9	201.1	3,910.24	199.60	194.44	201.65	14.71	3.30
Z400-3	1858.9	91.4	196.4	200.7	4,168.25	212.27	207.65	289.91	15.04	3.96
Z400-3.5	2055.2	79.2	195.6	200.9	4,523.47	231.26	225.16	229.03	14.69	3.29
Z400-3.5	2159.0	90.9	196.1	200.5	4,880.04	248.83	243.42	341.49	15.02	3.97

TYPE DE PROFILÉ	Résistances conformément à la section brute	
	Allongement N (kN)	Courbage M (kNm)
Z100-1.5	107.82	3.10
Z100-2	142.00	4.12
Z120-1.5	118.04	3.97
Z120-2	155.72	5.29
Z120-2.5	192.00	6.58
Z140-1.5	128.26	5.18
Z140-1.5	150.75	6.63
Z140-2	170.13	6.85
Z140-2	199.97	8.75
Z140-2.5	247.97	10.65
Z140-3	295.26	13.04
Z140-3.5	340.29	14.99
Z150-1.5	133.37	5.41
Z150-1.5	155.86	7.45
Z150-2	176.99	7.23
Z150-2	206.83	9.79
Z150-2.5	221.28	9.02
Z150-2.5	256.58	12.06
Z150-3	305.62	14.32
Z150-3.5	352.40	16.44
Z160-1.5	138.48	6.36
Z160-1.5	160.97	8.01
Z160-2	183.85	8.40
Z160-2	213.69	10.43
Z160-2.5	229.89	10.41
Z160-2.5	266.05	12.74
Z160-3	315.98	15.62
Z160-3.5	364.51	18.01
Z180-1.5	164.03	8.74
Z180-1.5	171.19	9.36
Z180-2	220.21	11.72
Z180-2	227.41	12.23
Z180-2.5	274.66	14.68
Z180-2.5	282.41	14.97
Z180-3	326.34	17.31
Z180-3	336.70	18.34
Z180-3.5	376.62	19.97
C180-3.5	388.73	21.12
Z200-1.5	184.47	10.79
Z200-1.5	190.09	11.45
Z200-2	245.59	14.42
Z200-2	252.79	15.36
Z200-2.5	308.24	18.09
Z200-2.5	317.71	19.24
Z200-3	366.74	21.70
Z200-3	379.18	22.94
Z200-3.5	423.85	25.02
Z200-3.5	438.38	26.47

TYPE DE PROFILÉ	Résistances conformément à la section brute	
	Allongement N (kN)	Courbage M (kNm)
Z250-1.5	210.02	15.01
Z250-1.5	215.64	15.48
Z250-2	279.89	19.87
Z250-2	287.09	20.80
Z250-2.5	351.29	24.91
Z250-2.5	360.76	26.09
Z250-3	418.54	29.70
Z250-3	430.98	31.31
Z250-3.5	484.40	34.27
Z250-3.5	498.93	36.07
Z300-1.5	246.81	21.19
Z300-2	329.28	28.09
Z300-2	343.34	29.83
Z300-2.5	413.28	35.18
Z300-2.5	427.92	37.45
Z300-3	491.47	42.00
Z300-3	515.93	45.19
Z300-3.5	576.55	48.50
Z300-3.5	598.23	52.50
Z350-1.5	271.85	26.30
Z350-2	362.21	34.80
Z350-2	394.11	39.85
Z350-2.5	454.61	43.59
Z350-2.5	493.35	50.04
Z350-3	542.86	52.02
Z350-3	592.59	60.41
Z350-3.5	629.72	60.48
Z350-3.5	690.27	70.83
Z400-1.5	309.67	34.36
Z400-2	414.34	45.72
Z400-2	435.27	47.91
Z400-2.5	518.32	56.98
Z400-2.5	543.29	60.18
Z400-3	619.53	68.05
Z400-3	650.61	72.68
Z400-3.5	719.33	78.81
Z400-3.5	755.66	85.20